

Parts Catalogue

for model
NT 480 W - 480 WQ

- Use GLOBAL GARDEN PRODUCT Genuine Spare Parts specified in the parts list for repair and/or replacement.
- The contents described in the parts list may change due to improvement.
- The drawings of the spare parts are only indicative and might not represent the part in question exactly.
- The indications "right" - "left" - "front" - "rear" refer to the position of the operator when using the machine.
- When placing orders of parts for repair and/or replacement, make sure that the illustrated parts list is the one applying to the machine's year of manufacture, as shown on the identification plate attached to the machine.

© Copyright 2015 Global Garden Products

All content is subject to copyright by Global Garden Products and may not be reproduced in whole or in part by any means, electronic or otherwise, without prior written approval.

THIS INFORMATION IS NOT INTENDED FOR SALE OR RESALE, AND THIS NOTICE MUST REMAIN ON ALL COPIES.



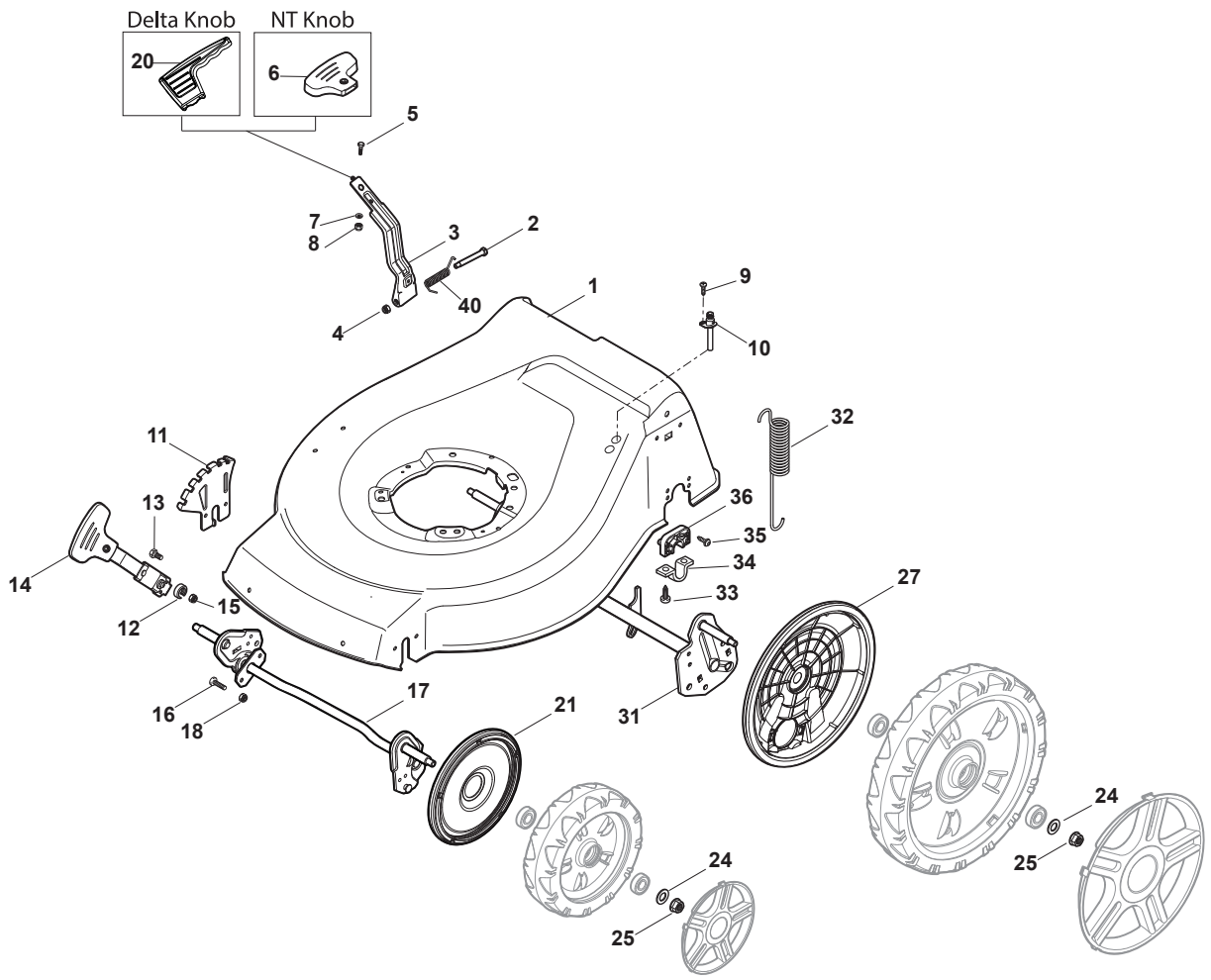


Fig.	Quantity	Part No	Description	Notes
20	1	322394522/0	Knob	Delta Knob
1	1	381004536/0	Red Deck	
1	1	381004538/0	Red Deck	Side Discharge
1	1	381004562/0	Yellow Deck	
1	1	381004731/0	Grey Deck	Side Discharge
1	1	381004741/0	Grey Deck	
2	1	122534131/0	Pin	
3	1	381003398/0	Lever, Height Adjustment	
4	1	112154510/0	Nut	
5	1	112788512/0	Screw	
6	1	322394503/0	Knob	NT Knob
7	1	112521310/0	Washer	
8	1	112150000/0	Nut	
9	1	112728450/0	Screw	
10	1	322034002/0	Washing Connection	
11	1	322735589/0	Sector, Height Adjustment	
12	2	122171002/0	Spacer	
13	2	112789000/0	Screw	
14	1	381003351/0	Wheels Adjusting Lever	
15	2	112154330/0	Nut	
16	4	112727803/0	Screw	
17	1	381002881/1	Front Wheel Axle	
18	4	112154510/0	Nut	
21	2	322600145/0	Protection, Wheel	
24	4	112521350/0	Washer	
25	4	112155000/0	Nut	
27	2	322600194/0	Protection, Wheel	
31	1	381302831/0	Rear Wheel Axle	
32	1	122450460/0	Spring	
33	4	112728697/0	Screw	
34	2	322545152/0	Plate	
35	4	112728697/0	Screw	
36	2	322785304/1	Support	
40	1	122446192/0	Spring	

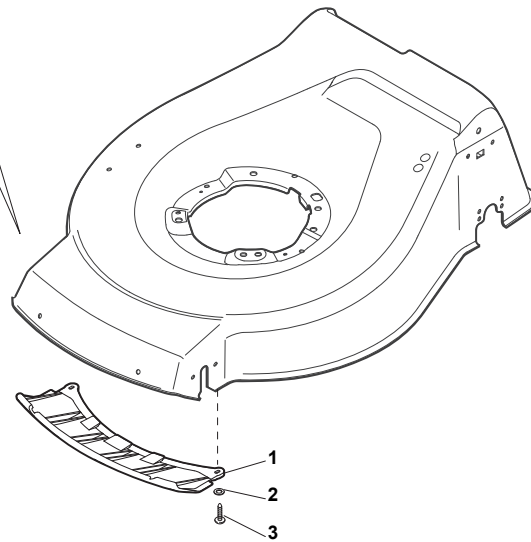
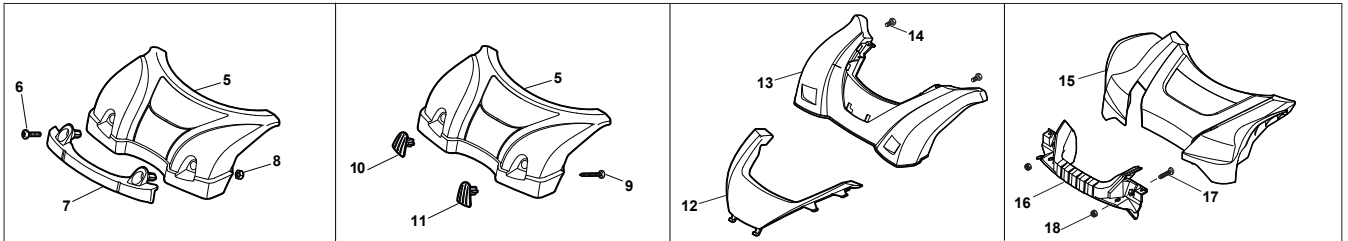


Fig.	Quantity	Part No	Description	Notes
1	1	322500102/0	Front Combi	
2	2	112523000/1	Washer	
3	2	112728124/0	Screw	
5	1	322226143/0	Mask, Red	
5	1	322226144/0	Mask, Yellow	with Stiga Logo
5	1	322226151/0	Mask, Black	with Stiga Logo
5	1	322226153/0	Mask, Black	
5	1	322226155/0	Mask, Yellow	
6	2	112727799/0	Screw	
7	1	322393638/0	Handlegrip Black	
7	1	322393639/0	Handle, Grey	
7	1	322393640/0	Handle, Yellow	
8	2	112154510/0	Nut	
9	2	112728697/0	Screw	
10	1	322820082/0	Cap	
11	1	322820083/0	Cap	
12	1	322226167/0	Front Plate	
13	1	322226165/0	Mask, Black	
14	2	112728300/0	Screw	
15	1	322226157/0	Mask, Black	
16	1	322393642/0	Bumper Handle	
17	2	112727799/0	Screw	
18	2	112154510/0	Nut	

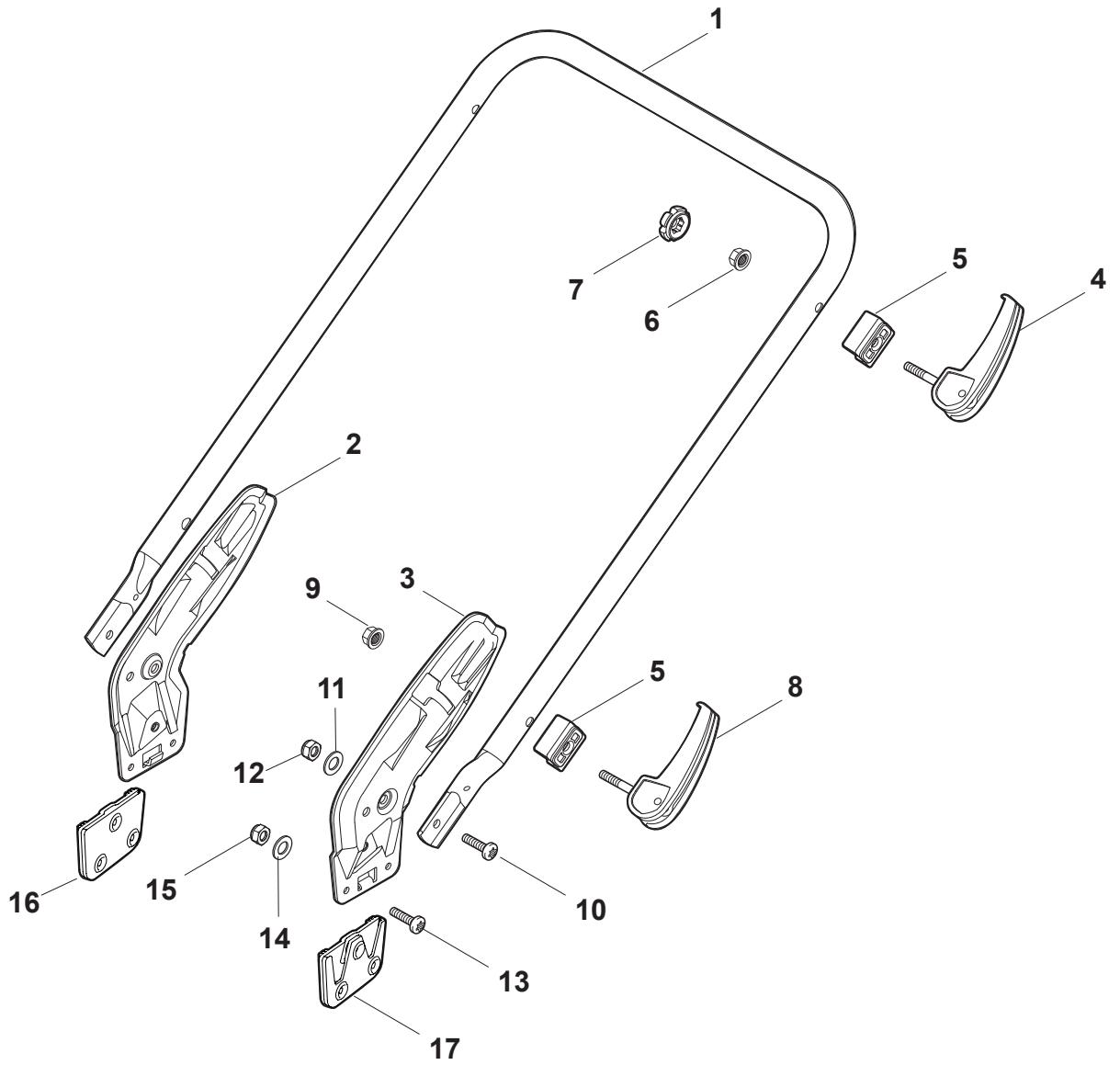


Fig.	Quantity	Part No	Description	Notes
1	1	381006735/0	Handle Lower Part	
2	1	381005125/0	Right Bracket	
3	1	381005127/0	Left Bracket	
4	2	381003253/0	Handle	
5	4	322680016/0	Washer	
6	2	122131750/0	Nut	
7	2	322399835/0	Knob	
8	2	381003254/0	Lock Handle	
9	2	112154220/0	Nut	
10	2	112760605/0	Screw	
11	2	112521350/0	Washer	
12	2	112155000/0	Nut	
13	6	112727803/0	Screw	
14	6	112523040/0	Washer	
15	6	112154510/0	Nut	
16	1	322551580/0	Isolation Plate	
17	1	322551581/0	Isolation Plate	

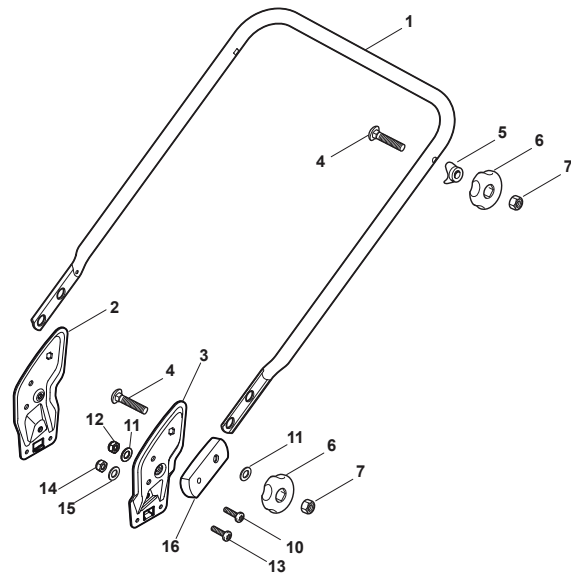


Fig.	Quantity	Part No	Description	Notes
1	1	381006735/0	Handle Lower Part	
2	1	381005133/0	Right Bracket	
3	1	381005135/0	Left Bracket	
4	4	112819120/0	Screw	
5	4	122680006/1	Washer	
6	4	322399804/1	Nut	
7	4	112293200/0	Nut	
10	2	112760605/0	Screw	
11	4	112521350/0	Washer	
12	6	112155000/0	Nut	
13	6	112727803/0	Screw	
14	6	112523040/0	Washer	
15	6	112154510/0	Nut	
16	1	322551582/0	Inside Plaque Insulation	

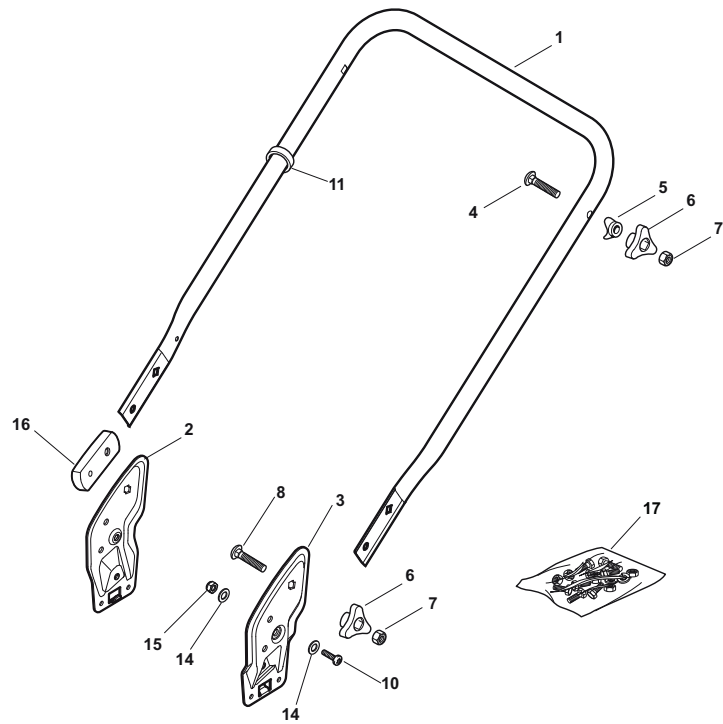


Fig.	Quantity	Part No	Description	Notes
1	1	381006735/0	Handle Lower Part	
2	1	381005133/0	Right Bracket	
3	1	381005135/0	Left Bracket	
4	2	112819120/0	Screw	
5	4	122680006/1	Washer	
6	4	322399804/1	Nut	
7	4	112293200/0	Nut	
8	2	112819110/0	Screw	
10	2	112793701/0	Screw	
11	1	122192000/1	Clamp	
14	4	112521350/0	Washer	
15	2	112154510/0	Nut	
16	2	322551582/0	Inside Plaque Insulation	
17	1	381008689/0	Outfit, Screws	

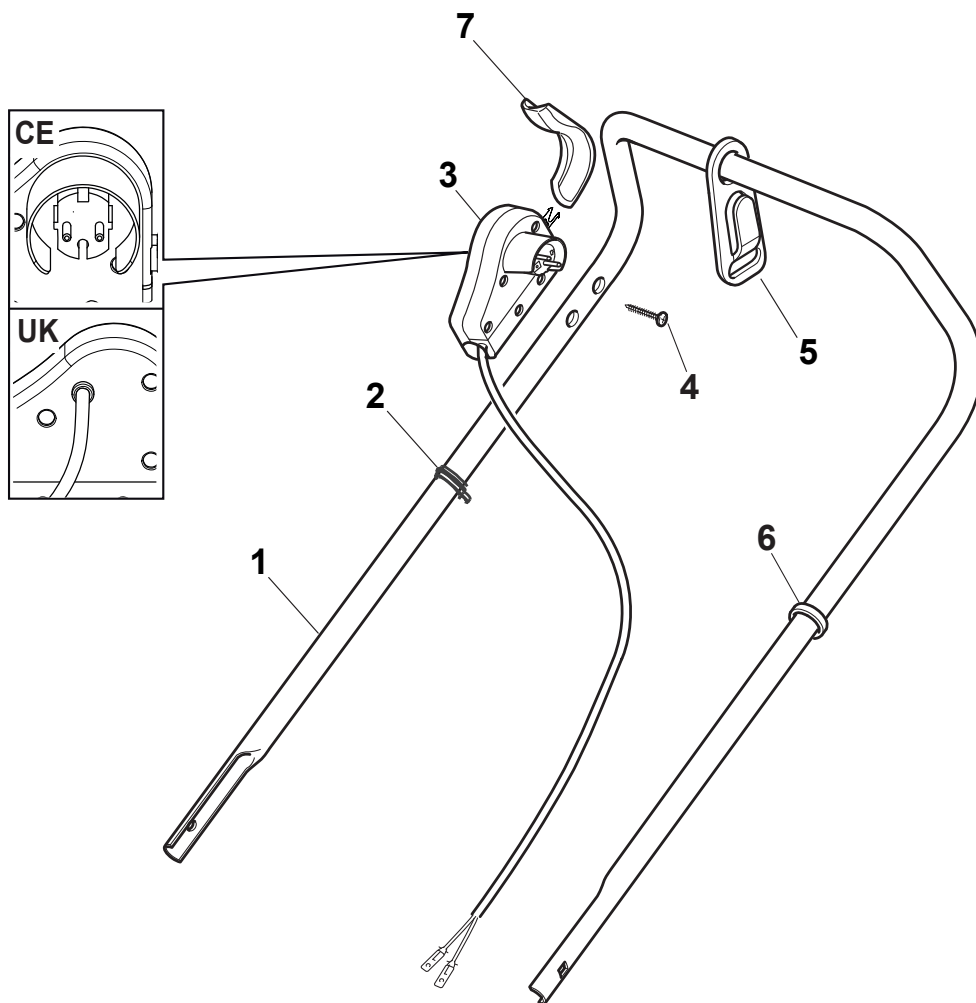


Fig.	Quantity	Part No	Description	Notes
1	1	381007017/2	Handle, Upper Part	
2	2	122192000/1	Clamp	
3	1	381600547/0	Dead Hand Switch CE	CE plugg
3	1	381600548/0	Dead Hand Switch UK	UK plugg
4	2	112728701/0	Screw	
5	1	322195101/4	Fairlead	
6	1	122192151/0	Fairlead Holder Clamp	
7	1	322319529/0	Leva Salvamotore	
CE	1	381600547/0	Dead Hand Switch CE	
UK	1	381600548/0	Dead Hand Switch UK	

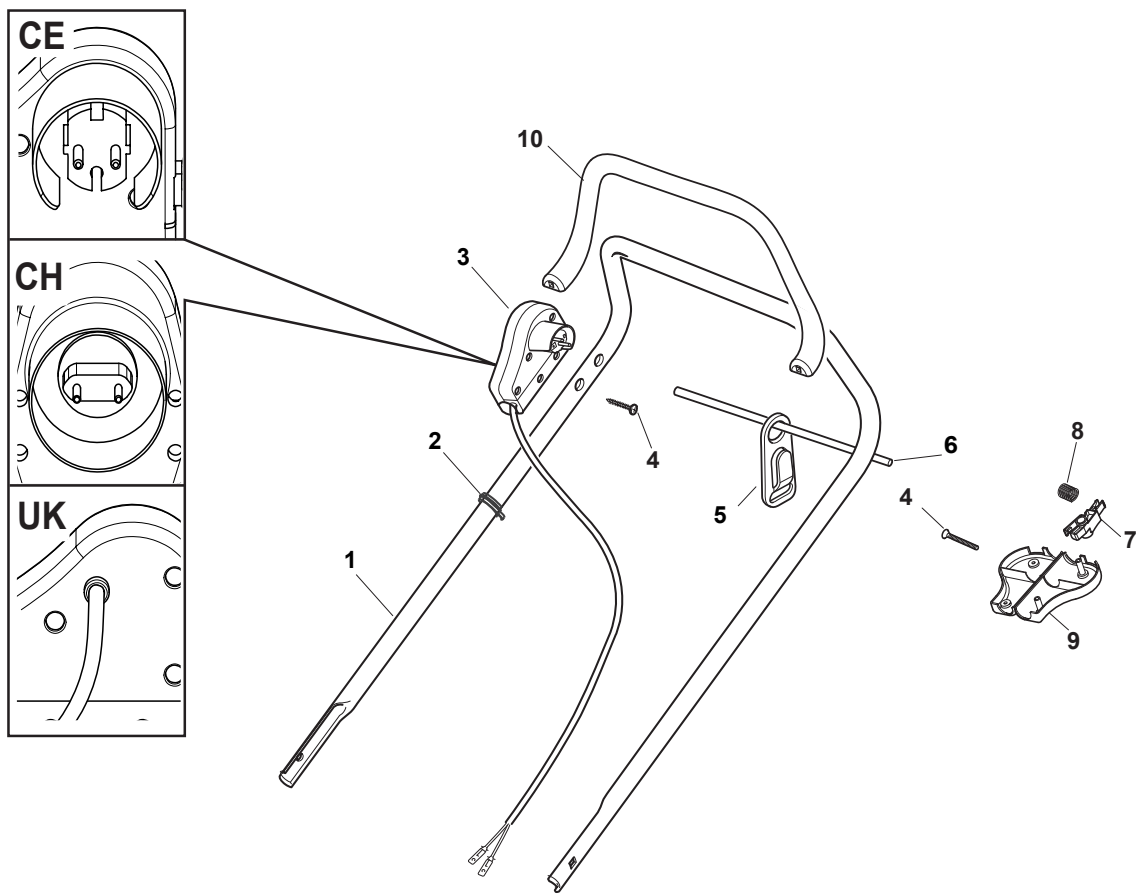
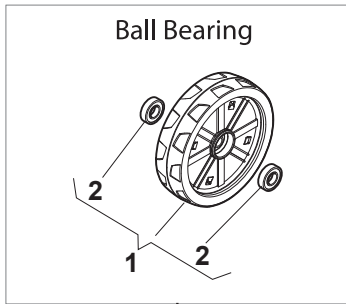
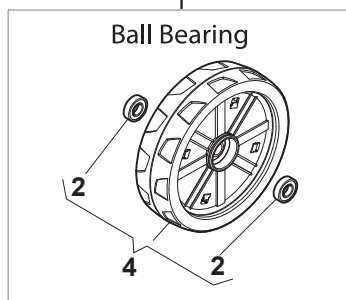
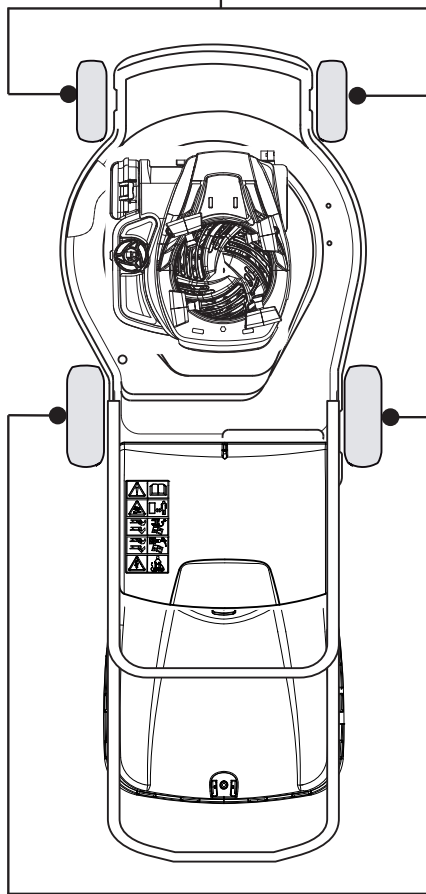
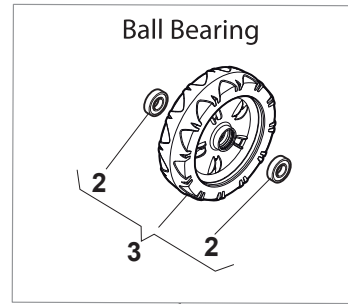


Fig.	Quantity	Part No	Description	Notes
3	1	381600548/0	Dead Hand Switch UK	UK plugg
3	1	381600547/0	Dead Hand Switch CE	CE plugg
1	1	381007017/2	Handle, Upper Part	
2	2	122192000/1	Clamp	
4	4	112728701/0	Screw	
5	1	322195101/4	Fairlead	
6	1	122010251/0	Hook	
7	1	322230350/1	Left Fulcrum	
8	1	122450115/0	Spring	
9	1	322785144/1	Support	
10	1	322322881/1	Lever, Engine Brake Black	
10	1	322322884/1	Lever, Engine Brake Red	
10	1	322322885/1	Lever, Engine Brake Yellow	
CE	1	381600547/0	Dead Hand Switch CE	
UK	1	381600548/0	Dead Hand Switch UK	

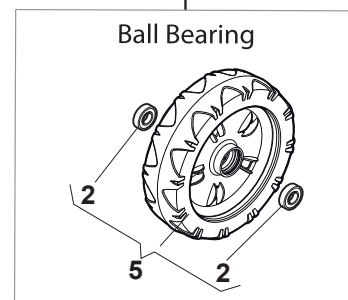
DELTA Wheels - Ø 200



NTD Wheels - Ø 200



DELTA Wheels - Ø 280



NTD Wheels - Ø 280

NT 480 W - 480 WQ

WBH Electric steel **Wheels and Hub Caps**

Issue 8 - 2015

Fig.	Quantity	Part No	Description	Notes
1	2	381007483/1	Wheel	
2	8	119216035/0	Bearing	
3	2	381007416/2	Wheel	
4	2	381007478/1	Wheel	
5	2	381007417/2	Wheel	

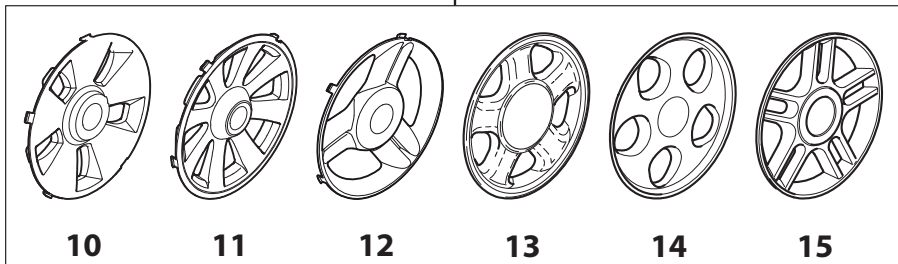
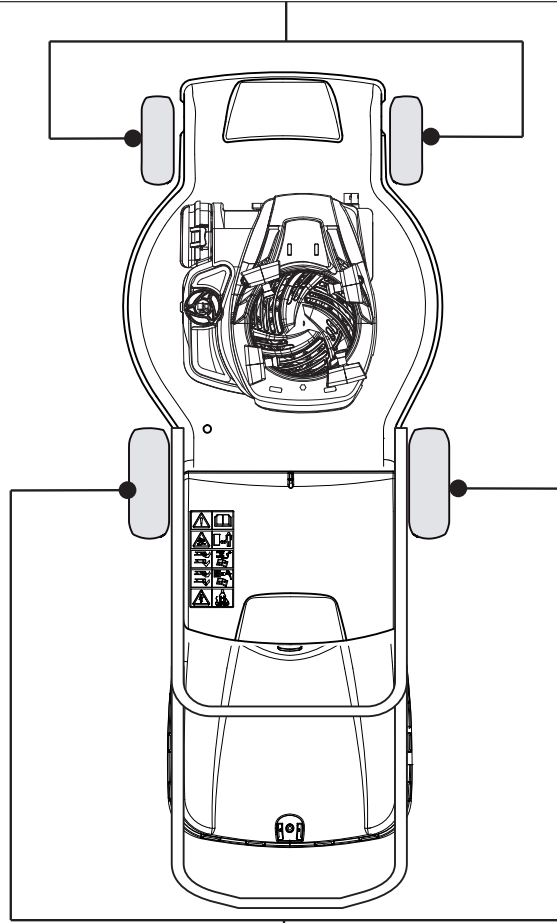
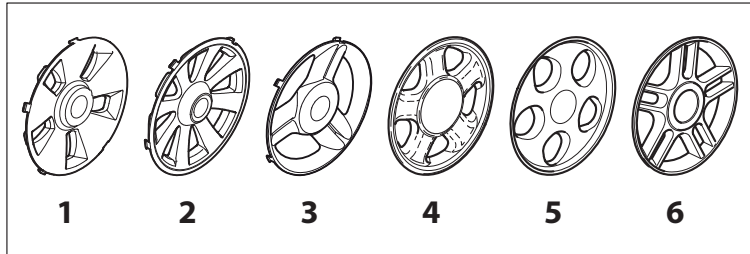


Fig.	Quantity	Part No	Description	Notes
1	2	322110643/0	Hub Cap Grey	
2	2	322110645/0	Hub Cap Grey	
2	2	322110649/0	Hub Cap Yellow	
3	2	322110687/0	Hub Cap Grey	
4	2	322110382/0	Hub Cap Grey	
5	2	322110416/0	Hub Cap Grey	
6	2	322110492/0	Hub Cap Grey	
10	2	322110644/0	Hub Cap Grey	
11	2	322110646/0	Hub Cap Grey	
11	2	322110650/0	Hub Cap Yellow	
12	2	322110641/0	Hub Cap Grey	
13	2	322110511/0	Hub Cap Grey	
14	2	322110417/0	Hub Cap Grey	
15	2	322110560/0	Hub Cap Grey	

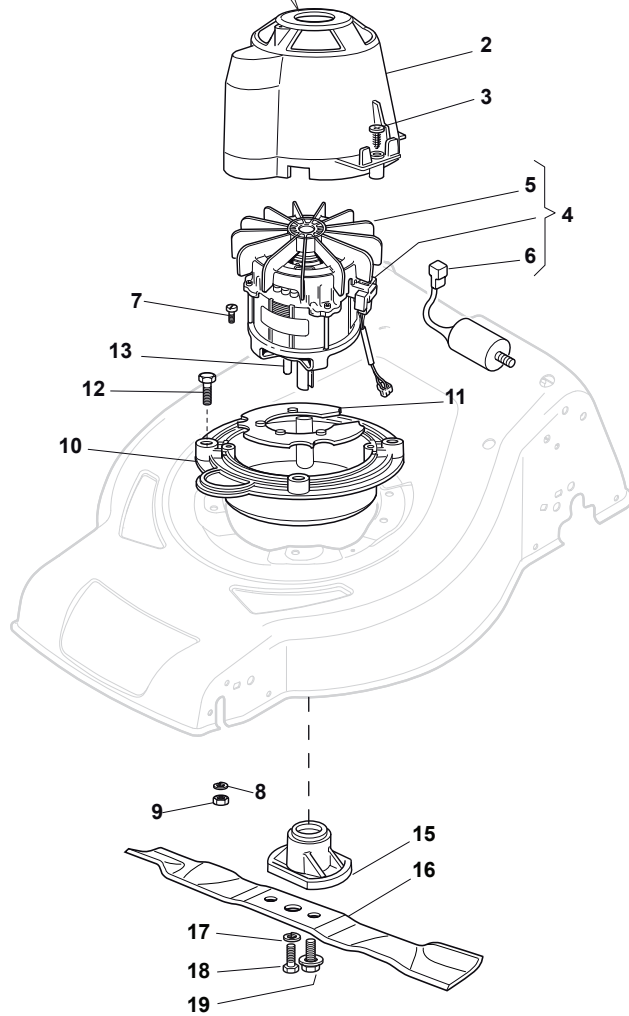
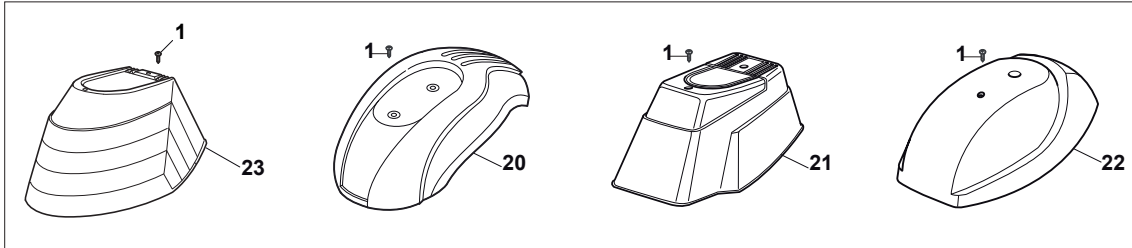
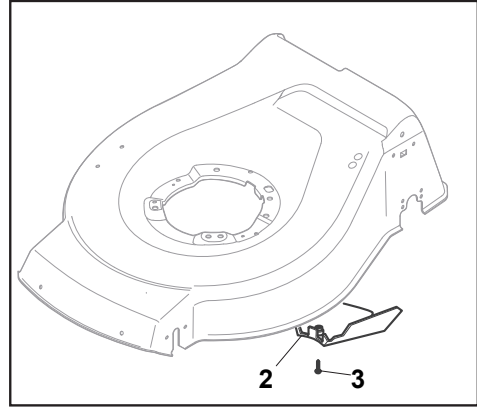
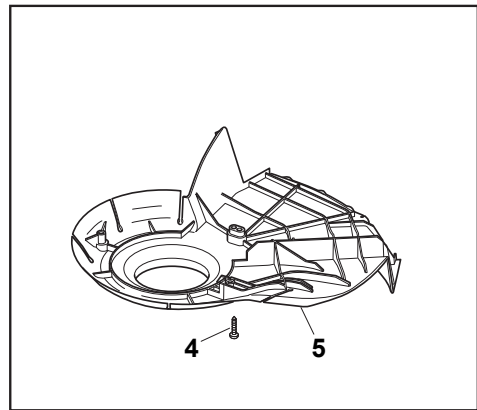


Fig.	Quantity	Part No	Description	Notes
1	2	112728680/0	Screw	
2	1	322785210/0	Cover Support	
3	4	112728710/0	Screw	
4	1	118563605/0	Electric Motor 1600W	240V (1600W)
4	1	118563640/0	Electric Motor 1800W	230V (1800W)
5	1	118740054/0	Fan Motor Atb	
6	1	118222039/0	Condenser	
6	1	118222045/0	Condenser 16 µf	
7	4	112735410/0	Screw	
8	4	112583500/0	Grower	
9	4	112293200/0	Nut	
10	1	322207211/4	Electrical Motor Flange	
10	1	322207216/0	Flange	
11	1	322720360/2	Ventilation Screen	
12	4	112793700/0	Screw	
13	1	112139440/0	Key	
15	1	322463186/3	Blade Hub	
16	1	181004346/3	Blade	
16	1	181004397/0	Blade Winged	
17	2	112583500/0	Grower	
18	2	112793101/0	Screw	
19	1	381004352/1	Screw	
20	1	122055065/0	Engine Cover Black	
21	1	122055045/1	Cover, Black	
21	1	322055139/0	Cover, Yellow	
22	1	122055058/0	Cover, Black	
23	1	122055033/1	Engine Cover	

CARTER STANDARD (No Mulching)



CARTER MULCHING (No Mulching)



KIT MULCHING

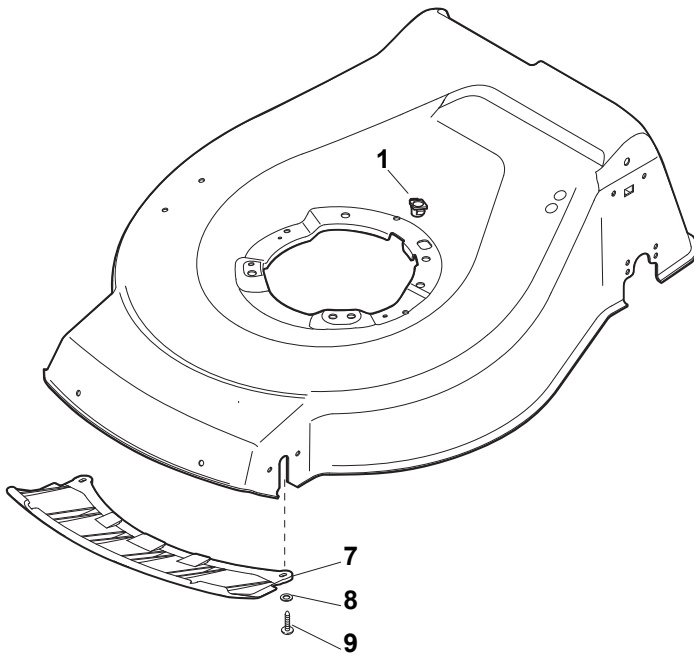
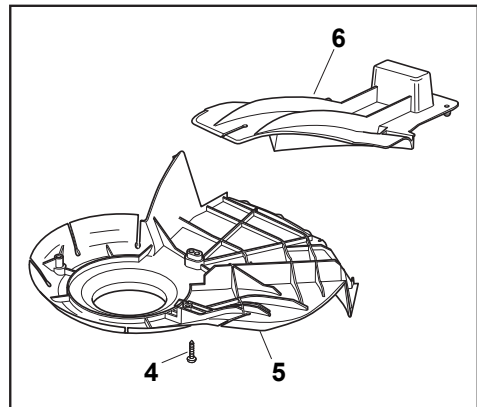
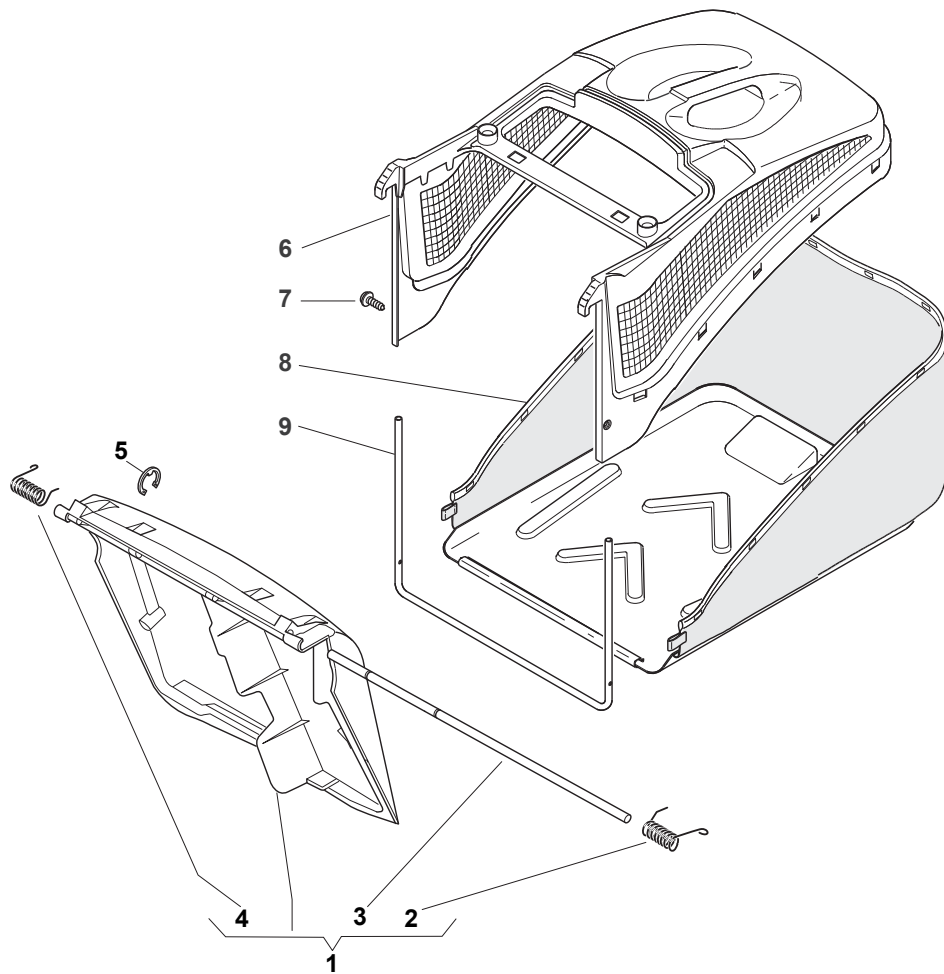


Fig.	Quantity	Part No	Description	Notes
1	1	322291150/0	Rubber Insert	
2	1	122060192/0	Belt Protection	
3	1	112728530/0	Screw	
4	3	112728530/0	Screw	
5	1	322060198/1	Belt Protection	
6	1	322140223/0	Deflector	
7	1	322500102/0	Front Combi	
8	2	112523000/1	Washer	
9	2	112728124/0	Screw	

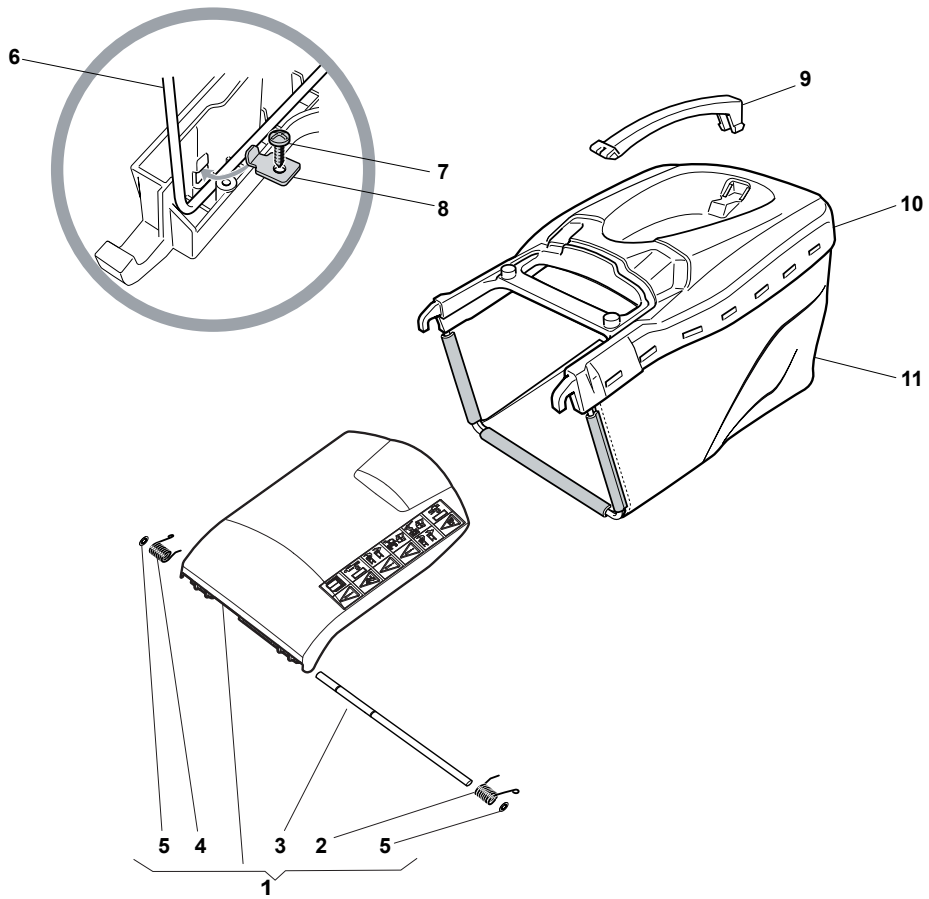


NT 480 W - 480 WQ

WBH Electric steel Grass-Catcher

Issue 8 - 2015

Fig.	Quantity	Part No	Description	Notes
1	1	381008021/2	Stone Guard	Black
2	1	122450420/1	Left Protection Spring	
3	1	122517906/1	Fulcrum Pin	
4	1	122450410/1	Right Spring	
5	1	112000930/0	Benzing Ring	
6	1	122486093/0	Box, Upper Side	
7	2	112728445/0	Screw	
8	1	181002195/0	Box, Fabric	
9	1	122608523/0	Stiffening	

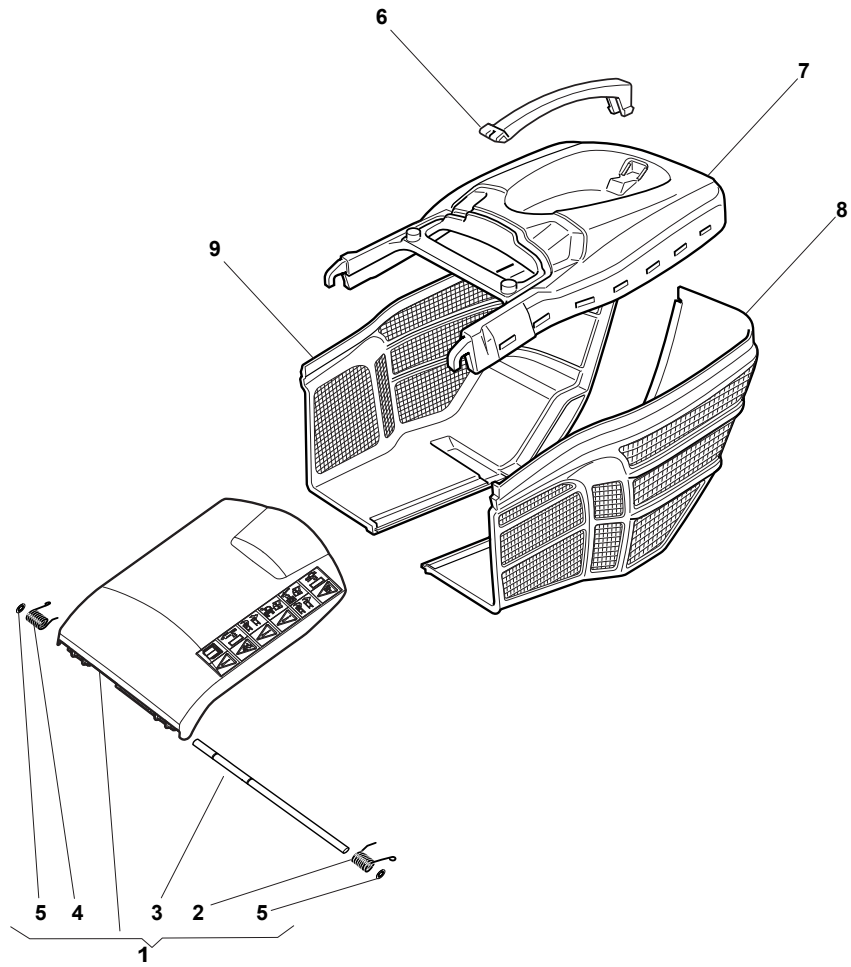


NT 480 W - 480 WQ

WBH Electric steel Grass-Catcher

Issue 8 - 2015

Fig.	Quantity	Part No	Description	Notes
1	1	381008129/0	Stone Guard, Yellow	Yellow
1	1	381008128/0	Stone Guard, Black	Black
2	1	122450466/0	Left Spring	
3	1	122517882/0	Pin	
4	1	122450465/0	Right Spring	
5	2	112604899/0	Crown Fastener	
6	1	122608505/0	Stiffening	
7	2	112728680/0	Screw	
8	2	322545159/0	Plate	
9	1	322393657/0	Handle	Black
9	1	322393721/0	Handle	Grey
10	1	381486009/0	Grass-Box, Upper	Black
10	1	381486031/0	Grass-Box, Upper	Grey
11	1	181002345/0	Box, Fabric	



NT 480 W - 480 WQ

WBH Electric steel Grass-Catcher

Issue 8 - 2015

Fig.	Quantity	Part No	Description	Notes
1	1	381008129/0	Stone Guard, Yellow	Yellow
1	1	381008128/0	Stone Guard, Black	Black
2	1	122450466/0	Left Spring	
3	1	122517882/0	Pin	
4	1	122450465/0	Right Spring	
5	2	112604899/0	Crown Fastener	
6	1	322393657/0	Handle	Black
6	1	322393721/0	Handle	Grey
7	1	381486009/0	Grass-Box, Upper	Black
7	1	381486031/0	Grass-Box, Upper	Grey
8	1	322486306/0	Grass-Box, L Lower	Black
9	1	322486305/0	Grass-Box, R Lower	Black

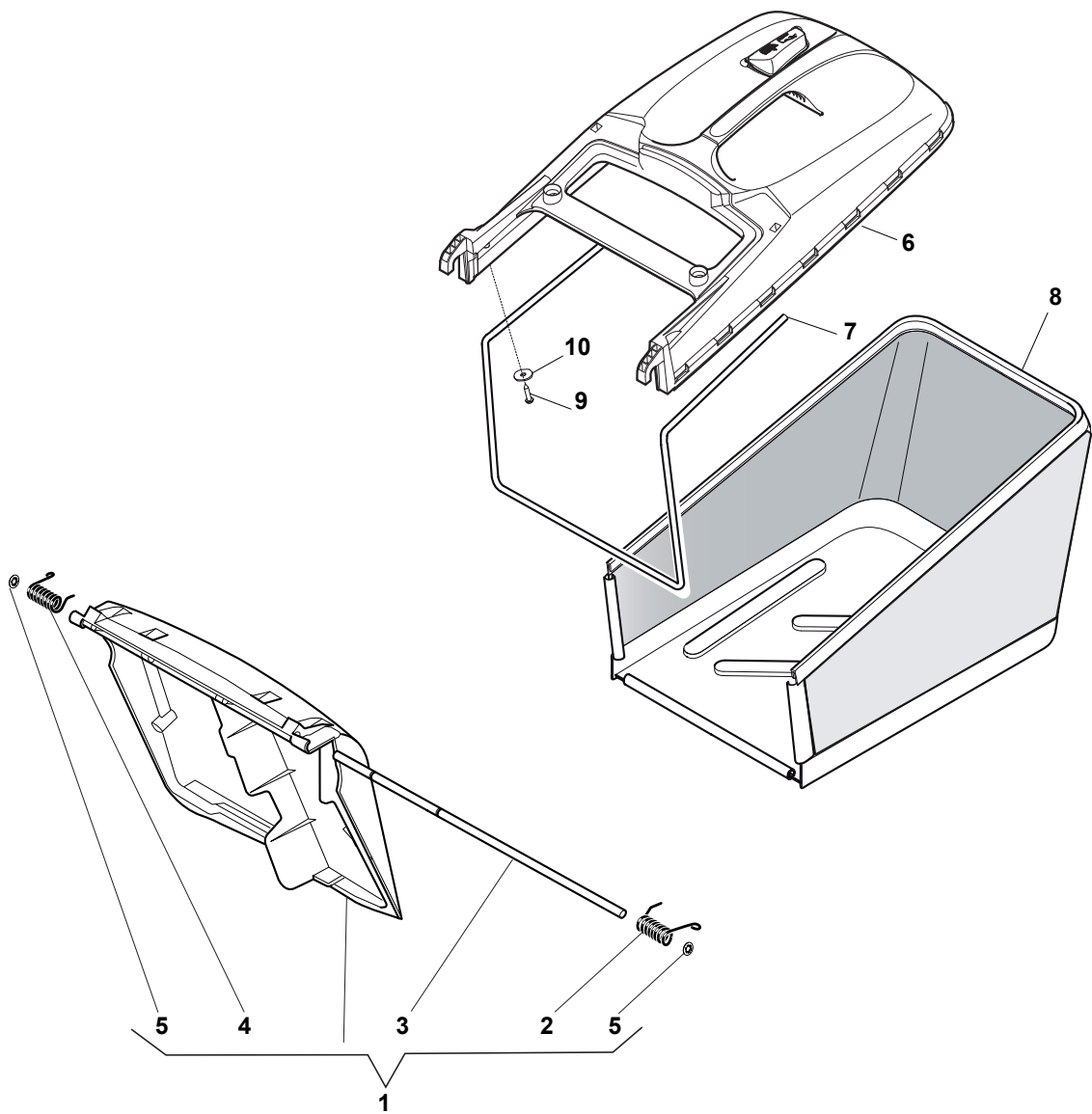


Fig.	Quantity	Part No	Description	Notes
1	1	381008081/2	Stone Guard, Black	Black
1	1	381008082/2	Stone Guard, Yellow	Yellow
10	2	112523050/0	Washer	
2	1	122450466/0	Left Spring	
3	1	122517882/0	Pin	
4	1	122450465/0	Right Spring	
5	2	112604899/0	Crown Fastener	
6	1	381486008/0	Grass-Box, Upper Part	Black
6	1	381486030/0	Grass-Box, Upper Part	Grey
6	1	381486012/0	Grass-Box, Upper Part	Yellow
7	1	122608525/1	Stiffening Lower	
8	1	181002211/0	Box, Fabric	
9	2	112728680/0	Screw	

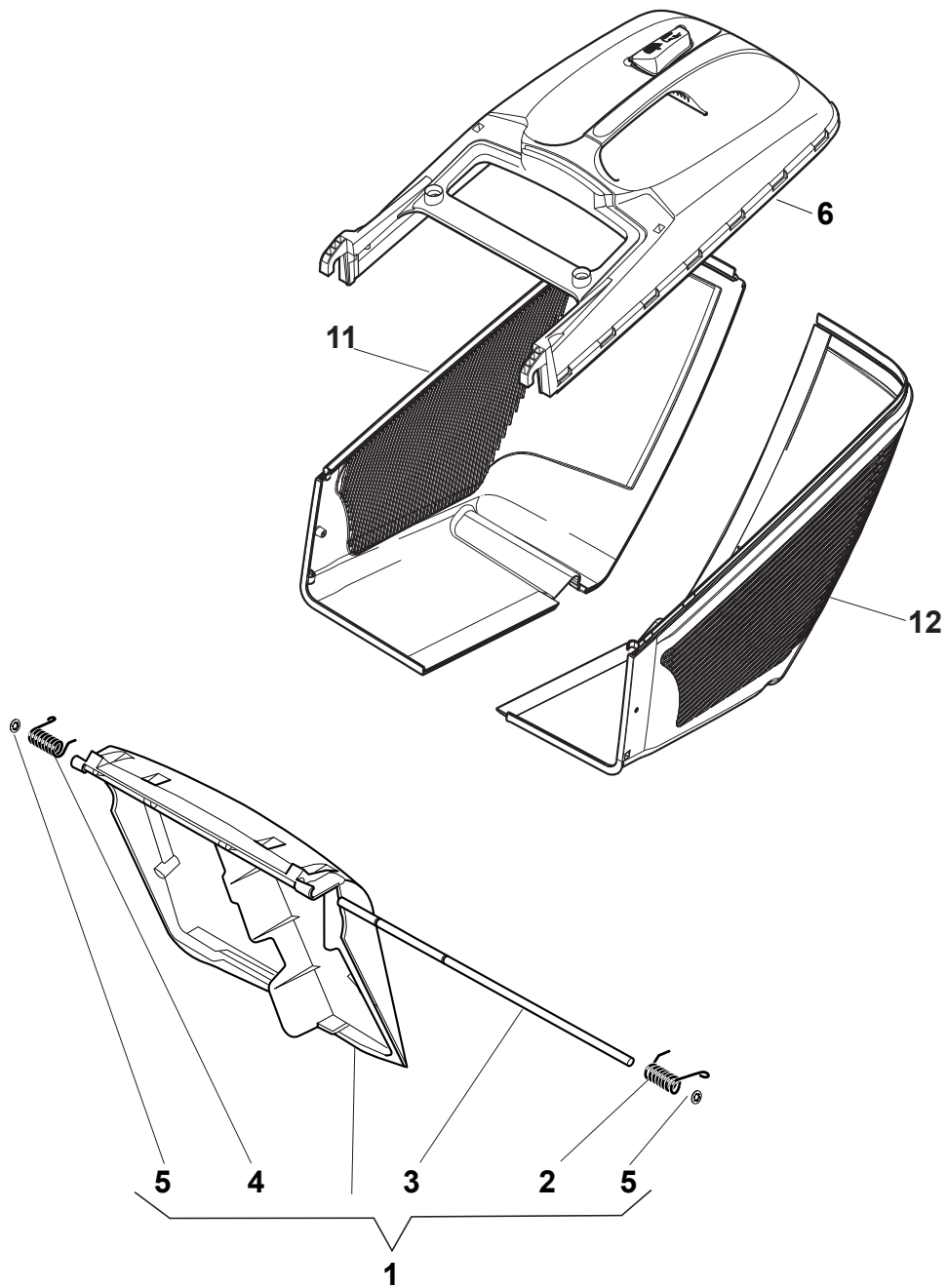


Fig.	Quantity	Part No	Description	Notes
1	1	381008081/2	Stone Guard, Black	Black
1	1	381008082/2	Stone Guard, Yellow	Yellow
11	1	322486150/1	Grass-Box, Right Lower Part	
12	1	322486151/1	Grass-Box, Left Lower Part	
2	1	122450466/0	Left Spring	
3	1	122517882/0	Pin	
4	1	122450465/0	Right Spring	
5	2	112604899/0	Crown Fastener	
6	1	381486008/0	Grass-Box, Upper Part	Black
6	1	381486030/0	Grass-Box, Upper Part	Grey
6	1	381486012/0	Grass-Box, Upper Part	Yellow

112000930/0	5	1	p. 25	118222039/0	6	1	p. 21	322195101/4	5	1	p. 13
112139440/0	13	1	p. 21	118222045/0	6	1	p. 21	322195101/4	5	1	p. 15
112150000/0	8	1	p. 3	118563605/0	4	1	p. 21	322207211/4	10	1	p. 21
112154220/0	9	2	p. 7	118563640/0	4	1	p. 21	322207216/0	10	1	p. 21
112154330/0	15	2	p. 3	118740054/0	5	1	p. 21	322226143/0	5	1	p. 5
112154510/0	4	1	p. 3	119216035/0	2	8	p. 17	322226144/0	5	1	p. 5
112154510/0	8	2	p. 5	122010251/0	6	1	p. 15	322226151/0	5	1	p. 5
112154510/0	15	2	p. 11	122055033/1	23	1	p. 21	322226153/0	5	1	p. 5
112154510/0	15	6	p. 7	122055045/1	21	1	p. 21	322226155/0	5	1	p. 5
112154510/0	15	6	p. 9	122055058/0	22	1	p. 21	322226157/0	15	1	p. 5
112154510/0	18	2	p. 5	122055065/0	20	1	p. 21	322226165/0	13	1	p. 5
112154510/0	18	4	p. 3	122060192/0	2	1	p. 23	322226167/0	12	1	p. 5
112155000/0	12	2	p. 7	122131750/0	6	2	p. 7	322230350/1	7	1	p. 15
112155000/0	12	6	p. 9	122171002/0	12	2	p. 3	322291150/0	1	1	p. 23
112155000/0	25	4	p. 3	122192000/1	2	2	p. 13	322319529/0	7	1	p. 13
112293200/0	7	4	p. 9	122192000/1	2	2	p. 15	322322881/1	10	1	p. 15
112293200/0	7	4	p. 11	122192000/1	11	1	p. 11	322322884/1	10	1	p. 15
112293200/0	9	4	p. 21	122192151/0	6	1	p. 13	322322885/1	10	1	p. 15
112521310/0	7	1	p. 3	122446192/0	40	1	p. 3	322393638/0	7	1	p. 5
112521350/0	11	2	p. 7	122450115/0	8	1	p. 15	322393639/0	7	1	p. 5
112521350/0	11	4	p. 9	122450410/1	4	1	p. 25	322393640/0	7	1	p. 5
112521350/0	14	4	p. 11	122450420/1	2	1	p. 25	322393642/0	16	1	p. 5
112521350/0	24	4	p. 3	122450460/0	32	1	p. 3	322393657/0	6	1	p. 29
112523000/1	2	2	p. 5	122450465/0	4	1	p. 27	322393657/0	9	1	p. 27
112523000/1	8	2	p. 23	122450465/0	4	1	p. 29	322393721/0	6	1	p. 29
112523040/0	14	6	p. 7	122450465/0	4	1	p. 31	322393721/0	9	1	p. 27
112523040/0	14	6	p. 9	122450465/0	4	1	p. 33	322394503/0	6	1	p. 3
112523050/0	10	2	p. 31	122450466/0	2	1	p. 27	322394522/0	20	1	p. 3
112583500/0	8	4	p. 21	122450466/0	2	1	p. 29	322399804/1	6	4	p. 9
112583500/0	17	2	p. 21	122450466/0	2	1	p. 31	322399804/1	6	4	p. 11
112604899/0	5	2	p. 27	122450466/0	2	1	p. 33	322399835/0	7	2	p. 7
112604899/0	5	2	p. 29	122486093/0	6	1	p. 25	322463186/3	15	1	p. 21
112604899/0	5	2	p. 31	122517882/0	3	1	p. 27	322486150/1	11	1	p. 33
112604899/0	5	2	p. 33	122517882/0	3	1	p. 29	322486151/1	12	1	p. 33
112727799/0	6	2	p. 5	122517882/0	3	1	p. 31	322486305/0	9	1	p. 29
112727799/0	17	2	p. 5	122517882/0	3	1	p. 33	322486306/0	8	1	p. 29
112727803/0	13	6	p. 7	122517906/1	3	1	p. 25	322500102/0	1	1	p. 5
112727803/0	13	6	p. 9	122534131/0	2	1	p. 3	322500102/0	7	1	p. 23
112727803/0	16	4	p. 3	122608505/0	6	1	p. 27	322545152/0	34	2	p. 3
112728124/0	3	2	p. 5	122608523/0	9	1	p. 25	322545159/0	8	2	p. 27
112728124/0	9	2	p. 23	122608525/1	7	1	p. 31	322551580/0	16	1	p. 7
112728300/0	14	2	p. 5	122680006/1	5	4	p. 9	322551581/0	17	1	p. 7
112728445/0	7	2	p. 25	122680006/1	5	4	p. 11	322551582/0	16	1	p. 9
112728450/0	9	1	p. 3	181002195/0	8	1	p. 25	322551582/0	16	2	p. 11
112728530/0	3	1	p. 23	181002211/0	8	1	p. 31	322600145/0	21	2	p. 3
112728530/0	4	3	p. 23	181002345/0	11	1	p. 27	322600194/0	27	2	p. 3
112728680/0	1	2	p. 21	181004346/3	16	1	p. 21	322680016/0	5	4	p. 7
112728680/0	7	2	p. 27	181004397/0	16	1	p. 21	322720360/2	11	1	p. 21
112728680/0	9	2	p. 31	322034002/0	10	1	p. 3	322735589/0	11	1	p. 3
112728697/0	9	2	p. 5	322055139/0	21	1	p. 21	322785144/1	9	1	p. 15
112728697/0	33	4	p. 3	322060198/1	5	1	p. 23	322785210/0	2	1	p. 21
112728697/0	35	4	p. 3	322110382/0	4	2	p. 19	322785304/1	36	2	p. 3
112728701/0	4	2	p. 13	322110416/0	5	2	p. 19	322820082/0	10	1	p. 5
112728701/0	4	4	p. 15	322110417/0	14	2	p. 19	322820083/0	11	1	p. 5
112728710/0	3	4	p. 21	322110492/0	6	2	p. 19	381002881/1	17	1	p. 3
112735410/0	7	4	p. 21	322110511/0	13	2	p. 19	381003253/0	4	2	p. 7
112760605/0	10	2	p. 7	322110560/0	15	2	p. 19	381003254/0	8	2	p. 7
112760605/0	10	2	p. 9	322110641/0	12	2	p. 19	381003351/0	14	1	p. 3
112788512/0	5	1	p. 3	322110643/0	1	2	p. 19	381003398/0	3	1	p. 3
112789000/0	13	2	p. 3	322110644/0	10	2	p. 19	381004352/1	19	1	p. 21
112793101/0	18	2	p. 21	322110645/0	2	2	p. 19	381004536/0	1	1	p. 3
112793700/0	12	4	p. 21	322110646/0	11	2	p. 19	381004538/0	1	1	p. 3
112793701/0	10	2	p. 11	322110649/0	2	2	p. 19	381004562/0	1	1	p. 3
112819110/0	8	2	p. 11	322110650/0	11	2	p. 19	381004731/0	1	1	p. 3
112819120/0	4	2	p. 11	322110687/0	3	2	p. 19	381004741/0	1	1	p. 3
112819120/0	4	4	p. 9	322140223/0	6	1	p. 23	381005125/0	2	1	p. 7

381005127/0	3	1	p. 7
381005133/0	2	1	p. 9
381005133/0	2	1	p. 11
381005135/0	3	1	p. 9
381005135/0	3	1	p. 11
381006735/0	1	1	p. 7
381006735/0	1	1	p. 9
381006735/0	1	1	p. 11
381007017/2	1	1	p. 13
381007017/2	1	1	p. 15
381007416/2	3	2	p. 17
381007417/2	5	2	p. 17
381007478/1	4	2	p. 17
381007483/1	1	2	p. 17
381008021/2	1	1	p. 25
381008081/2	1	1	p. 31
381008081/2	1	1	p. 33
381008082/2	1	1	p. 31
381008082/2	1	1	p. 33
381008128/0	1	1	p. 27
381008128/0	1	1	p. 29
381008129/0	1	1	p. 27
381008129/0	1	1	p. 29
381008689/0	17	1	p. 11
381302831/0	31	1	p. 3
381486008/0	6	1	p. 31
381486008/0	6	1	p. 33
381486009/0	7	1	p. 29
381486009/0	10	1	p. 27
381486012/0	6	1	p. 31
381486012/0	6	1	p. 33
381486030/0	6	1	p. 31
381486030/0	6	1	p. 33
381486031/0	7	1	p. 29
381486031/0	10	1	p. 27
381600547/0	3	1	p. 13
381600547/0	3	1	p. 15
381600547/0	CE	1	p. 13
381600547/0	CE	1	p. 15
381600548/0	3	1	p. 13
381600548/0	3	1	p. 15
381600548/0	UK	1	p. 13
381600548/0	UK	1	p. 15